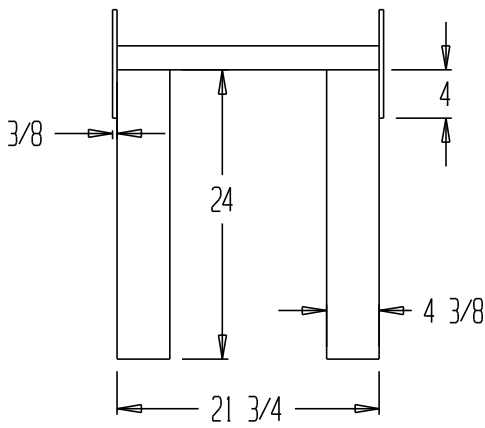
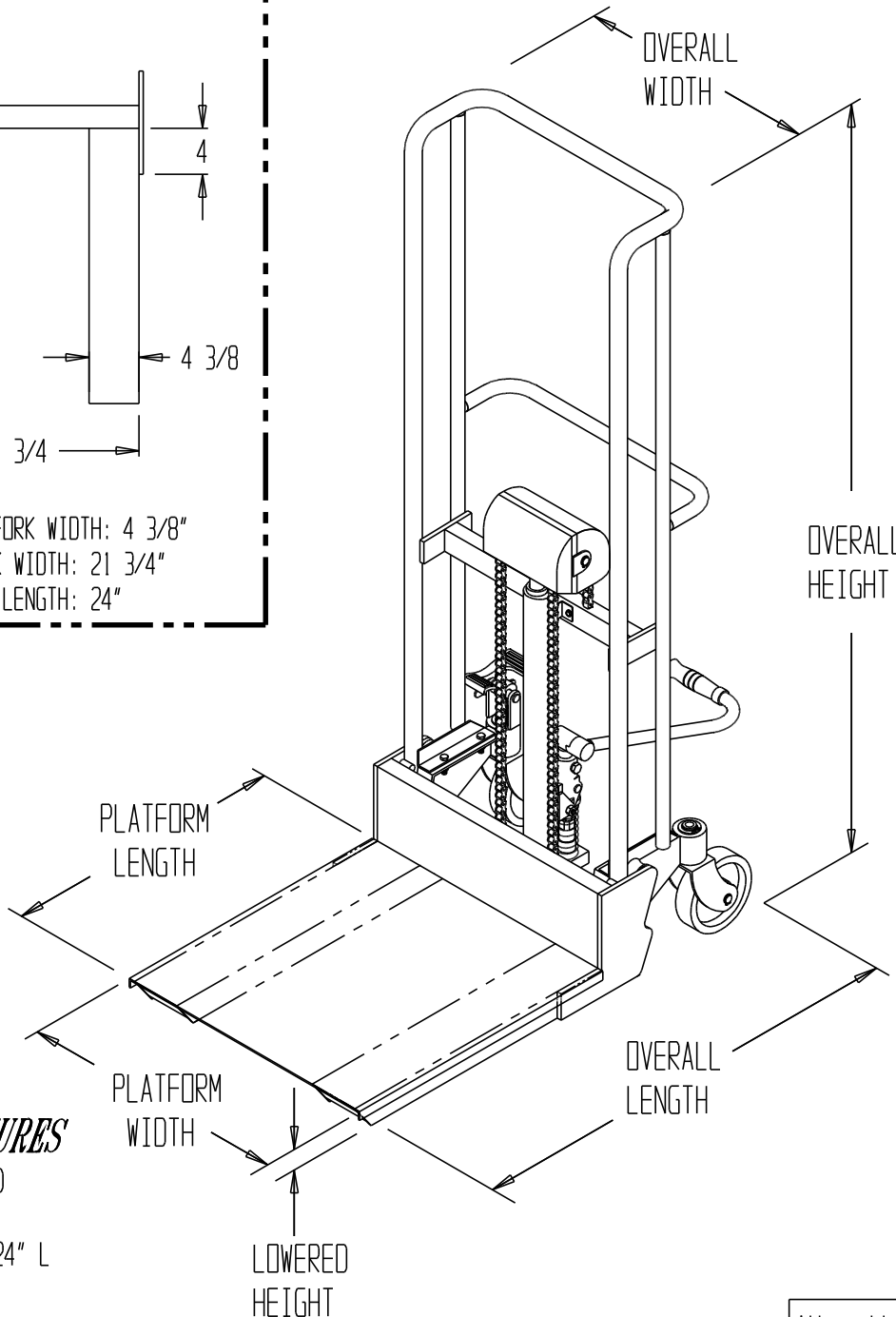


FORK DETAIL - TOP VIEW



FORK SPECS:
 INDIVIDUAL FORK WIDTH: 4 3/8"
 OVERALL FORK WIDTH: 21 3/4"
 USABLE FORK LENGTH: 24"

HEFTI-LIFT, HYD-10



STANDARD FEATURES

- MODEL NUMBER: HYD-10
- CAPACITY: 880 LBS
- DECK SIZE: 23" W x 24" L
- OVERALL HEIGHT: 70"
- OVERALL LENGTH: 36"
- OVERALL WIDTH: 23"
- LOWERED HEIGHT: 4 1/2"
- RAISED HEIGHT: 59"
- HANDLE HEIGHT: 42"
- OUTRIGGERS:
 - 10 = 14" / 00 = 18 1/4"
- CASTERS:
 - 2- BACK 6" x 2"
 - 2- FRONT 3" x 2"
- FOOT PUMP OPERATION

SPECIAL FEATURES

NONE

PRODUCTION WILL START UPON RECEIPT OF SIGNED APPROVAL DRAWING

**SPECIAL UNITS ARE NON-RETURNABLE
 *AVAILABLE AT ADDITIONAL COSTS

All graphics provided are for reference only.
 If certain dimensions are critical please verify those dimensions with your salesperson

FOR INTERNAL USE ONLY	
PROJECT SIGN OFF	
SALES	
ENG	
FAB.	
POWER	

I, THE UNDERSIGNED, AGREE THAT THE PRODUCT AS REPRESENTED SATISFIES DESIGN & DIMENSION REQUIREMENTS. I ALSO ACKNOWLEDGE MY DUTY TO CONFIRM PRODUCT & INSTALLATION COMPLIANCE WITH ALL APPLICABLE FEDERAL, STATE AND LOCAL REGULATIONS & STANDARDS.
ANY MODIFIED UNITS ARE NON-RETURNABLE
 () As drawn () As marked
 Signed: _____ Date: _____
 Printed Name: _____
 LEAD TIME WILL START UPON RECEIPT OF SIGNED APPROVAL DRAWING

DISTRIBUTOR'S NAME: VESTIL MANUFACTURING		P.O.#: -
DRAWN BY: -		DATE: 5-5-16
REFERENCE: -	SCALE: NTS	SALES: -
QUOTED LEADTIME: -	QUOTE #: -	DRWG. FILE NAME: HYD-10